

# Floral Case

## Floral Case

### Digitally Controlled Uniform Temperature

- \* Fluorescent Lighting in Every Shelf
- \* Energy Saving Night Curtain
- \* All 300 Series Stainless Steel Interior Including Back Wall, Shelves, Floor
- \* Stainless Steel Shelves that are Adjustable in 1" increments
- \* Digitally Controlled Uniform Temperature
- \* Two Shelving Position Stand
- \* Front Air Intake and Rear Air Discharge
- \* Perforated Interior Back Wall and Top for Better Air Flow
- \* Custom Colors Available
- \* Oversized Refrigeration (R404A)
- \* No Plumbing Required

TOM-50F



TOM-40F



Model	CU./FT.	#of Shelves	HP	AMPS	Weight	L D H	List Price
TOM-40F	14.7	3	1	15	507	38.4 x 26.8 x 78	Available Soon
TOM-50F	19.6	3	1	15	573	50.4 x 26.8 x 78	



## CABINET INTERIOR/EXTERIOR SPECIFICATIONS

MODEL	TOM-40F	TOM-50F
Exterior Dimensions(LxDxH)	38.4x26.9x78	50.4x26.9x78
Interior Dimensions(LxDxH)	36x14x49.4	48x14x49.4
Compressor	1HP	1HP
Power Voltage	115V 60Hz	115V 60Hz
Amp	15A	15A
Plug-in Installation	NEMA 5-15P	NEMA 5-15P
Shelves	3EA	3EA
Shelf Size	(1) 35.8x10.8 (1) 35.8x11.8 (1) 35.8x12.8	(1) 47.8x10.8 (1) 47.8x11.8 (1) 47.8x12.8
Net Weight (lbs)	507	573
Weight after packing (lbs)	516	584

**\* Self-Contained System**

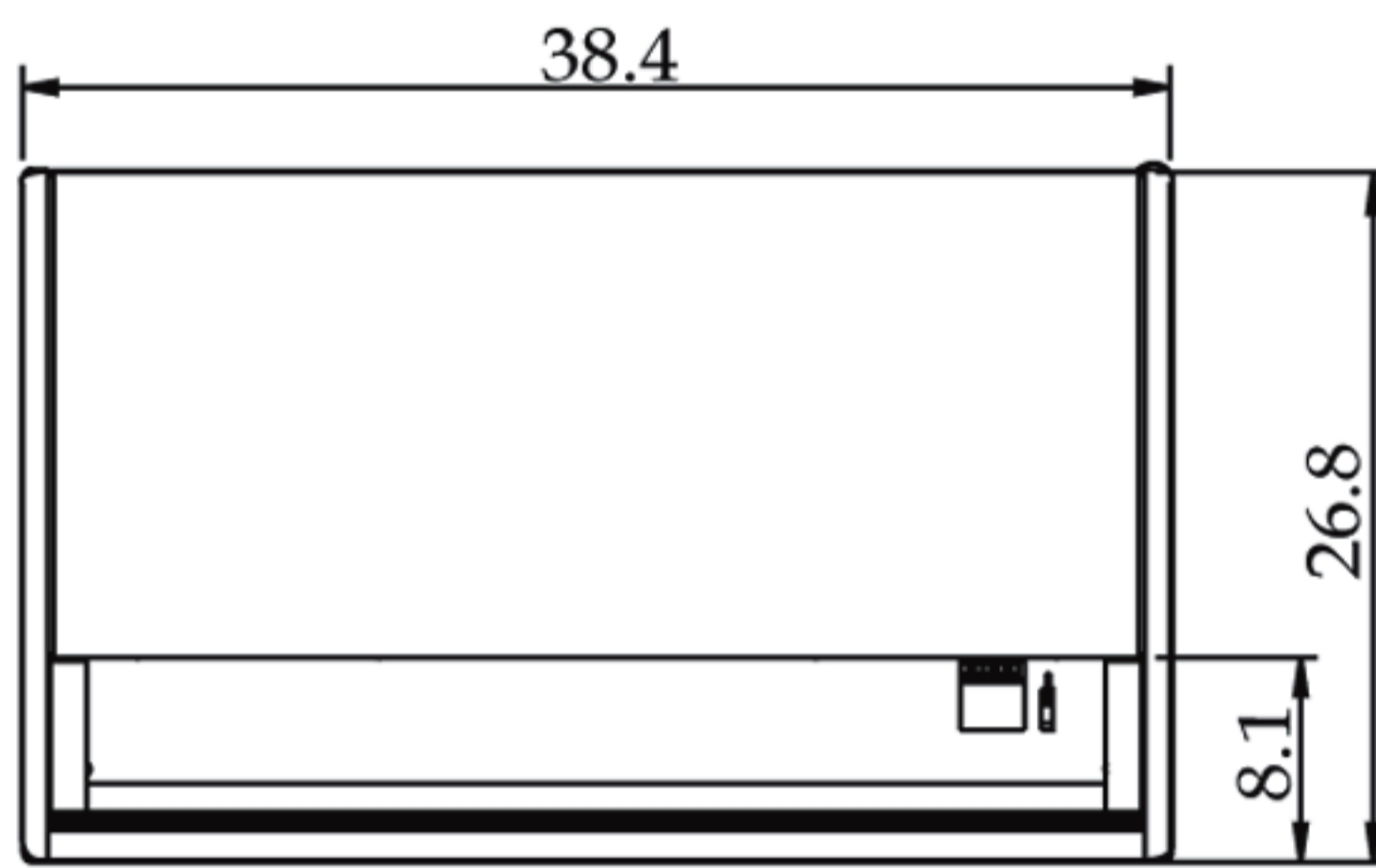
No plumbing required.

**\* Holds 38°F~45°F**

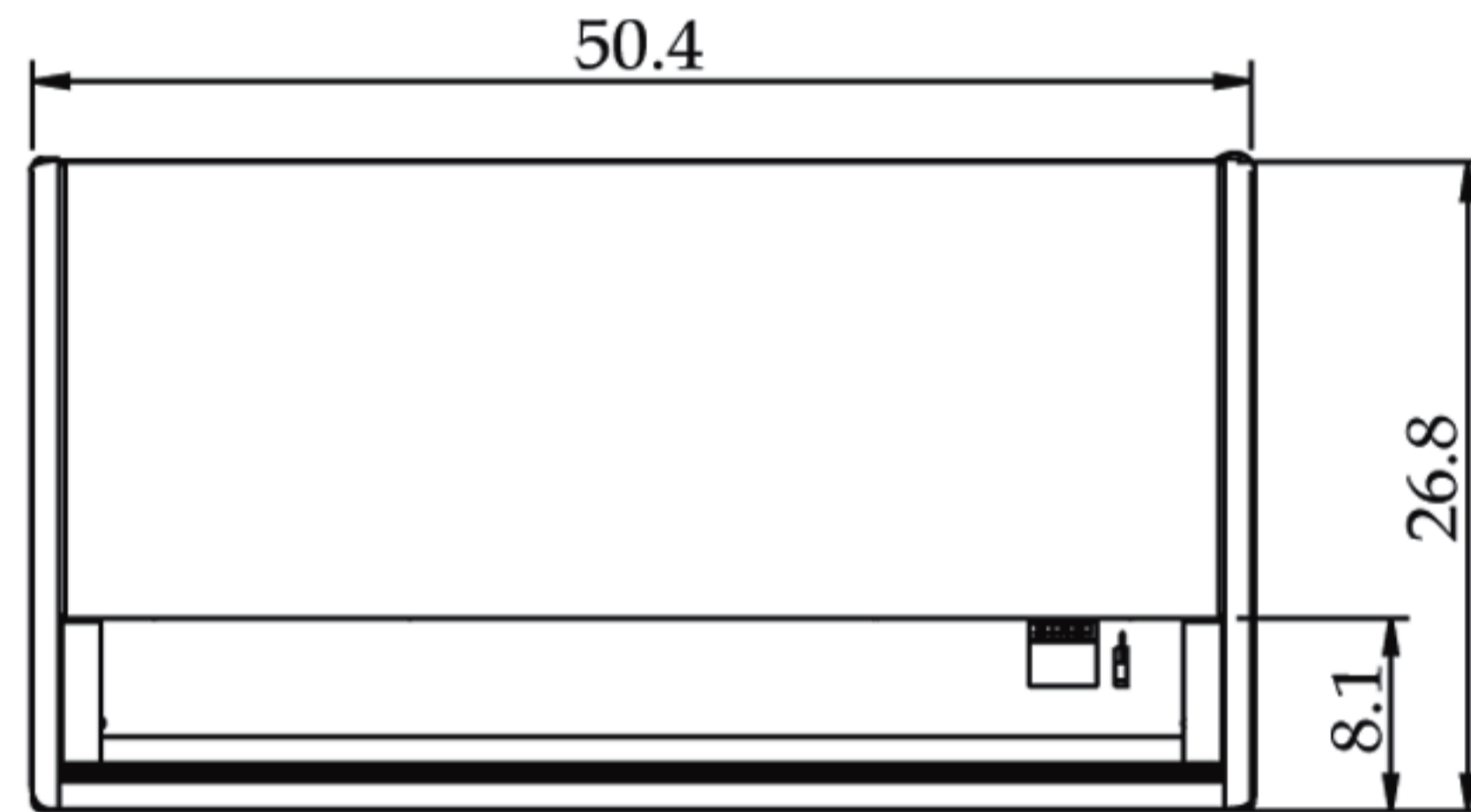
**\* TB Models are designed to operate in an environment where temperature & humidity do not exceed 75 F and 55% relative humidity**

**\* Foamed with polyurethane, high -density cell insulation (CFC Free)**

\*Design and specifications can be changed without prior notice for product improvement.

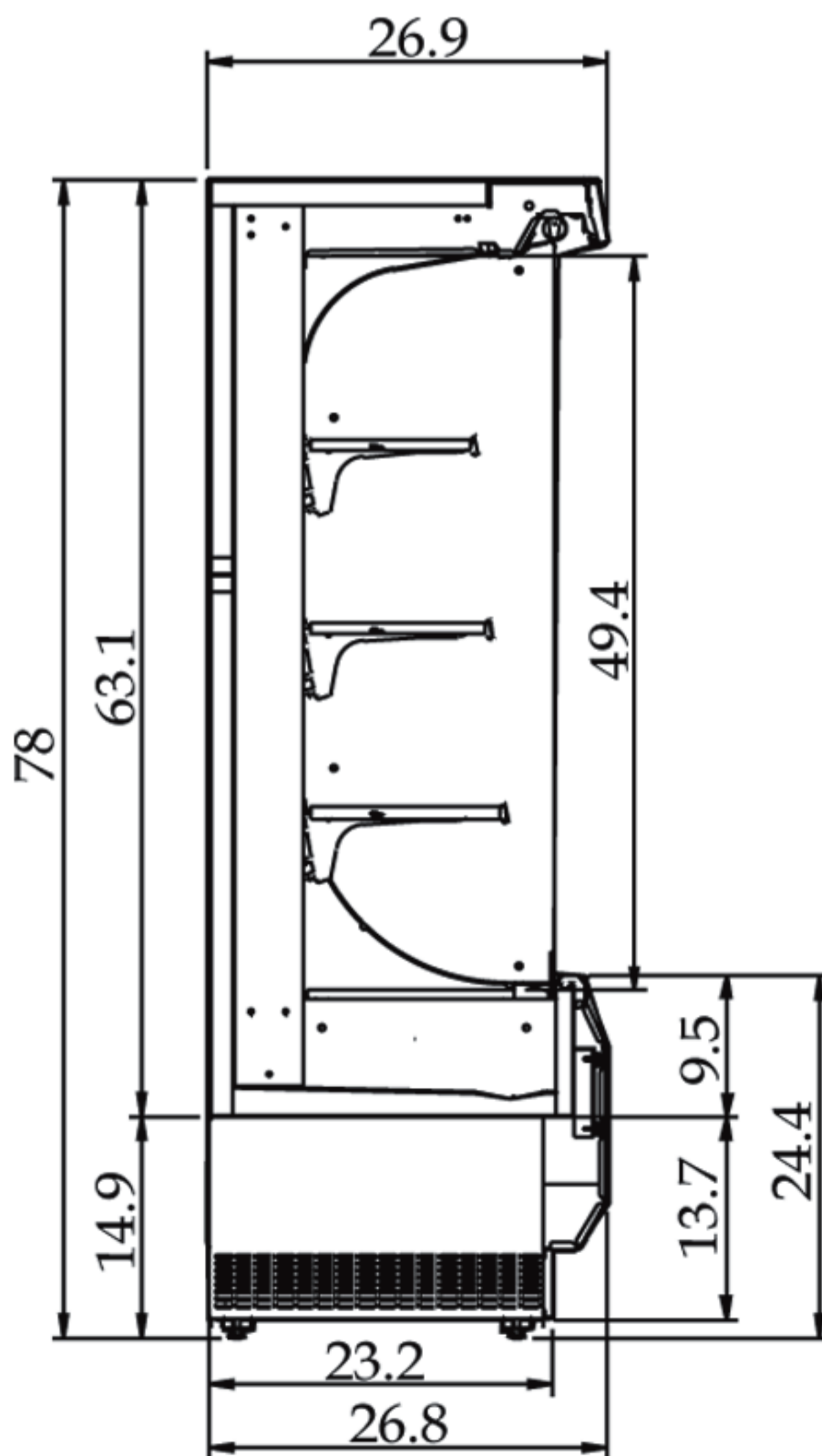


**TOM-40F**

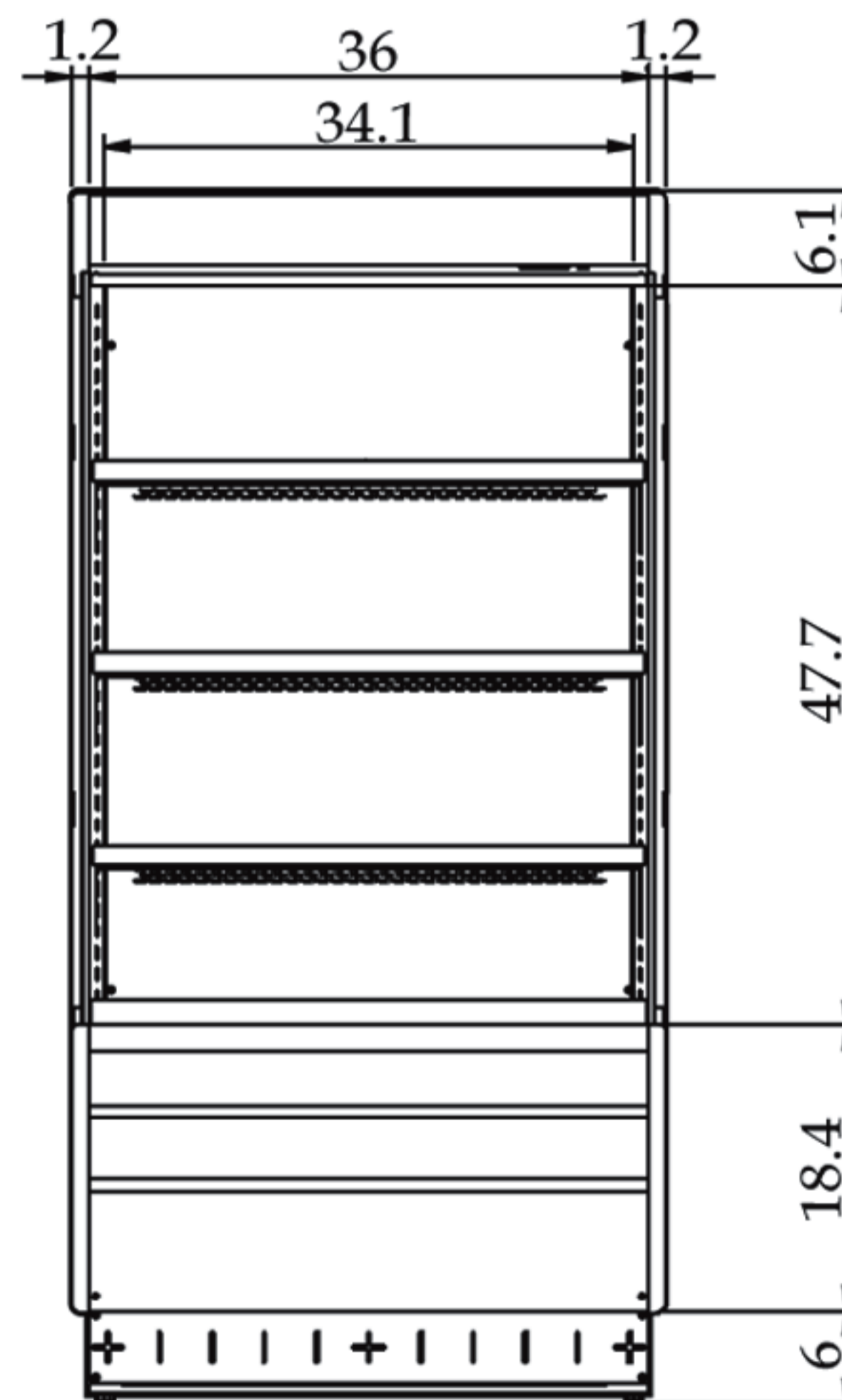


**TOM-50F**

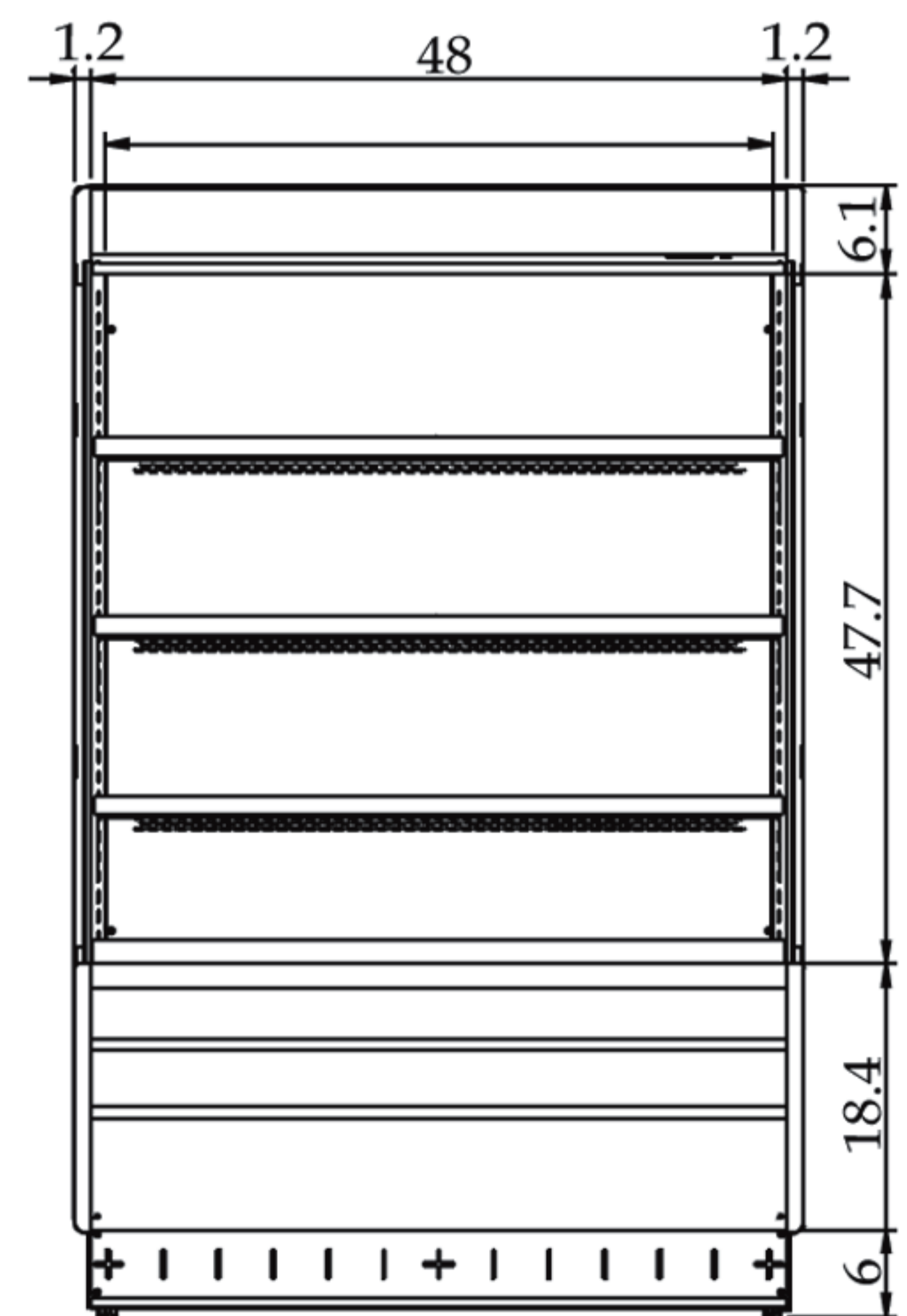
(unit : inch)



**SIDE VIEW**



**TOM-40F FRONT VIEW**



**TOM-50F FRONT VIEW**